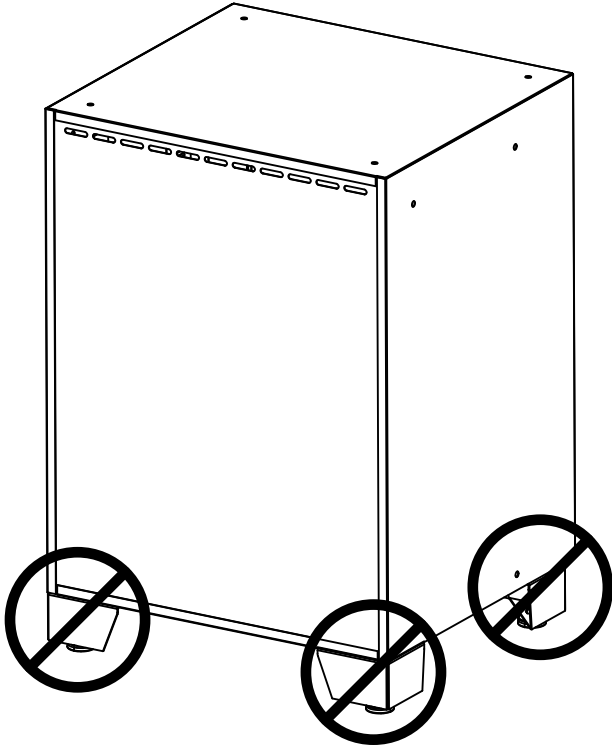
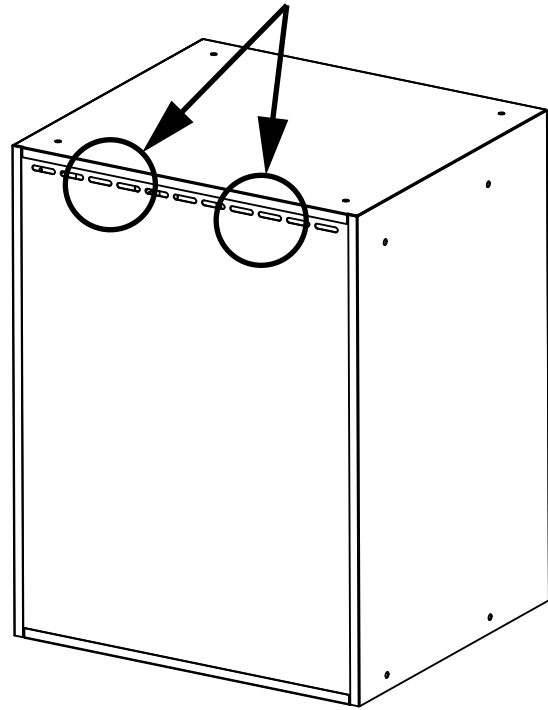


Installing CrownWall® PRO Cabinets to a wall

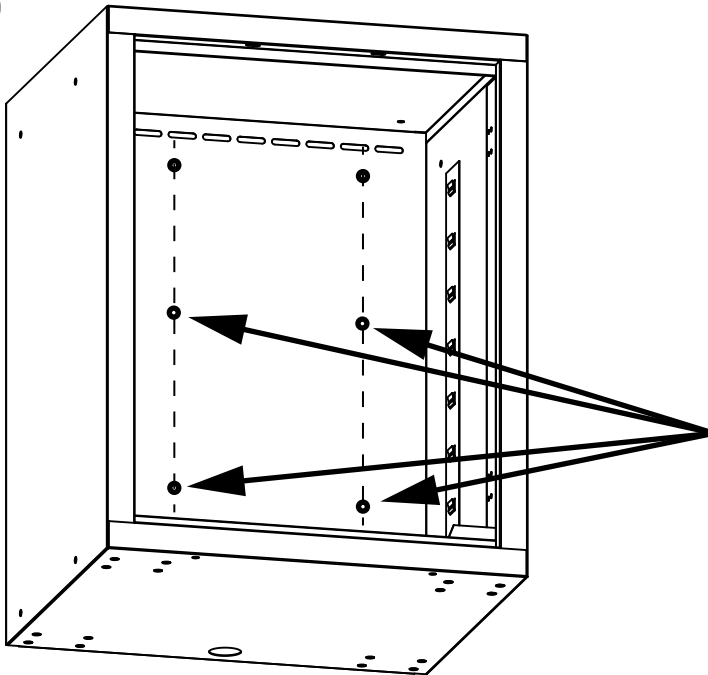
1 Do not install feet or kick-plates.



2 After locating studs, screw through these holes to secure the cabinet to the wall (from the inside of the cabinet). Use a level to ensure the cabinet is level.



3



After securing the screws at the top, Mark and drill holes through the cabinet. These holes should be lined up with the top screws to completely secure the cabinet to the wall.

A least 6 points of contact (screws) should be used to secure the base cabinets. You may use as many more as you may see fit.

**Doors not shown for illustrative purposes only. It is not necessary to remove the doors for this install.*